



TCBBX2/TCBTX2

5605765100 - TCBTX2/4-630 (400V50HZ) V5 - CYLINDRICAL CASED AXIAL FLOW FANS



Cased axial fan . Casing manufactured from galvanised sheet steel. Fitted with 2 contrarotating fan assemblies with aluminium blades. Three phase - IP65 - F motor. All models are supplied with pre-wired wiring junction box located on the outside of the fan casing for easy wiring access.. Brand S&P model TCBTX2/4-630 (400V50HZ) V5 for an airflow 4,56 m³/s and static pressure 200 Pa.

Theoretical Working Point

Airflow	4,56 m ³ /s
Static Pressure	200 Pa
Temperature	20 °C
Altitude	0 m
Density	1,2 kg/m ³
Frequency	50 Hz

Working Point

Airflow	4,56 m ³ /s
Static Pressure	200 Pa
Dynamic pressure	129 Pa
Total Pressure	329 Pa
Efficiency	36
Input power	3,20 kW
Outlet speed	14,7 m/s
Fan speed	1425 rpm
Specific Fan Power	0,70 W/l/s

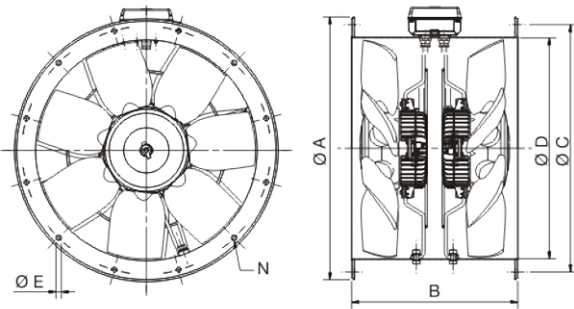
Construction

Discharge diameter	630 mm
Fan size	630
Blades	7
Weight	63,45 kg

Motor Characteristics

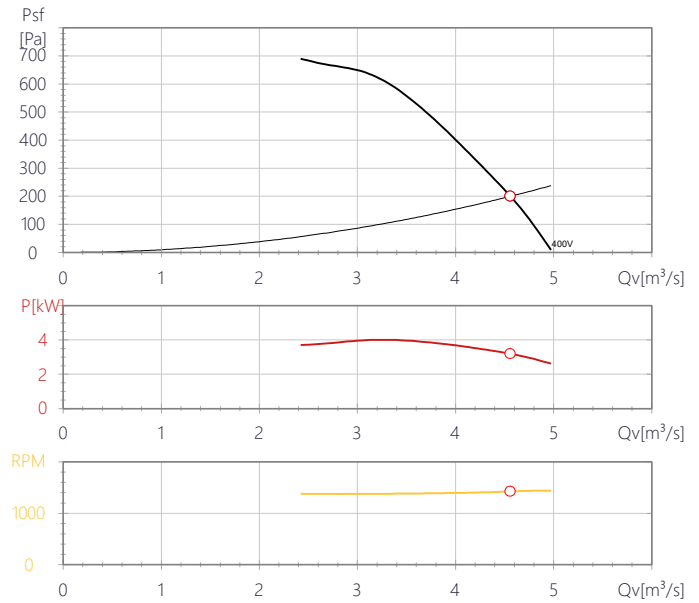
Number of poles	4
Voltage	3-400V-50Hz
Maximum absorbed current	7,4 A
IP Rating	IP65
Motor insulation class	F

Drawing (mm)



A	B	C	D	E	N
725	520	690	630	12	12

Performance Chart



Sound Performance

	63	125	250	500	1k	2k	4k	8k	Overall
Inlet (LwA)	54	85	86	88	91	86	80	73	95
Inlet LpA @ 1,5m	40	70	72	74	77	72	65	59	81
Outlet (LwA)	71	86	87	92	95	89	83	77	98
Outlet LpA @ 1,5m	57	72	73	78	80	74	69	62	84



TCBBX2/TCBTX2

5605765100 - TCBTX2/4-630 (400V50HZ) V5 - CYLINDRICAL CASED AXIAL FLOW FANS

ErP Data

Fan type	G2.- AXIAL FAN TOTAL (B,D)
Maximum efficiency η [%]	55,8
Installation type	D
Category efficiency	Total
N	N58,4
Variable speed drive	+
Year of manufacture	Product Rating Plate
Input power at optimum efficiency point (kW)	3,903
Airflow at optimum efficiency point [m ³ /h]	13.120
Pressure at optimum efficiency point [Pa]	599
Correction factor	No
Element supplied with the fan	Instruction manual
Speed at optimum efficiency point	1387
Specific Ratio	1
Manufacturer's Info	S&P
Product code	5605765100
Recycling/disposal	Instruction Manual
Maintenance	Instruction Manual
Additional components	Catalogue and according to ISO 5801