



# TCBBX2/TCBTX2

5605766600 - TCBTX2/4-500 3PH 230/400V 50HZ CONTRA-ROTATING AXIAL - CYLINDRICAL CASED AXIAL FLOW FANS



Cased axial fan . Casing manufactured from galvanised sheet steel. Fitted with 2 contrarotating fan assemblies with aluminium blades. Three phase - IP65 - F motor. All models are supplied with pre-wired wiring junction box located on the outside of the fan casing for easy wiring access.. Brand S&P model TCBTX2/4-500 3PH 230/400V 50Hz CONTRA-ROTATINGAXIAL for an airflow 2,35 m<sup>3</sup>/s and static pressure 200 Pa.

## Theoretical Working Point

Airflow	2,35 m <sup>3</sup> /s
Static Pressure	200 Pa
Temperature	20 °C
Altitude	0 m
Density	1,2 kg/m <sup>3</sup>
Frequency	50 Hz

## Working Point

Airflow	2,35 m <sup>3</sup> /s
Static Pressure	200 Pa
Dynamic pressure	86 Pa
Total Pressure	286 Pa
Efficiency	38
Input power	1,45 kW
Outlet speed	12 m/s
Fan speed	1365 rpm
Specific Fan Power	0,62 W/l/s

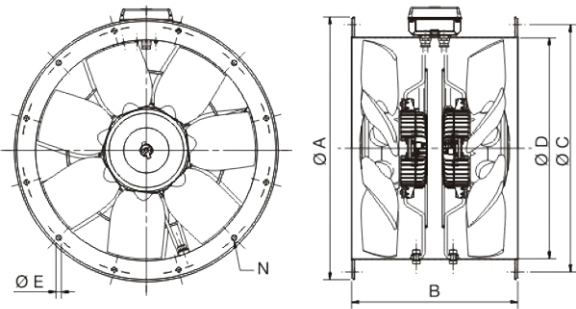
## Construction

Discharge diameter	500 mm
Fan size	500
Blades	7
Weight	38,70 kg

## Motor Characteristics

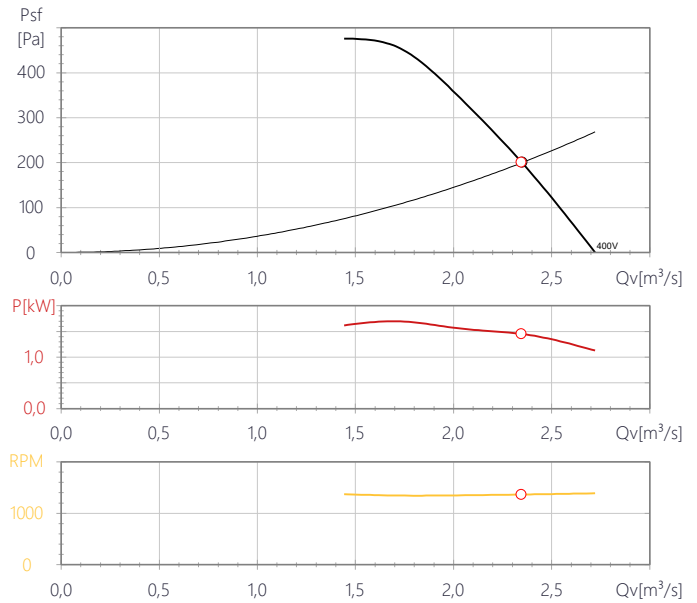
Number of poles	4
Voltage	3-230/400V-50Hz
Maximum absorbed current	5,9 A / 3,4 A
IP Rating	IP65
Motor insulation class	F

## Drawing (mm)



A	B	C	D	E	N
595	375	560	500	12	12

## Performance Chart



## Sound Performance

	63	125	250	500	1k	2k	4k	8k	Overall
<b>Inlet (LwA)</b>	53	76	85	84	86	81	74	67	91
<b>Inlet LpA @ 1,5m</b>	38	61	71	69	72	66	59	52	76
<b>Outlet (LwA)</b>	63	74	87	87	89	84	77	70	93
<b>Outlet LpA @ 1,5m</b>	48	60	72	72	75	69	62	55	79



# TCBBX2/TCBTX2

5605766600 - TCBTX2/4-500 3PH 230/400V 50HZ CONTRA-ROTATING AXIAL - CYLINDRICAL CASED AXIAL FLOW FANS

## ErP Data

Fan type	G2.- AXIAL FAN TOTAL (B,D)
Maximum efficiency $\eta$ [%]	53,5
Installation type	D
Category efficiency	Total
N	N58,6
Variable speed drive	+
Year of manufacture	Product Rating Plate
Input power at optimum efficiency point (kW)	1,581
Airflow at optimum efficiency point [m <sup>3</sup> /h]	7,145
Pressure at optimum efficiency point [Pa]	427
Correction factor	No
Element supplied with the fan	Instruction manual
Speed at optimum efficiency point	1348
Specific Ratio	1
Manufacturer's Info	S&P
Product code	5605766600
Recycling/disposal	Instruction Manual
Maintenance	Instruction Manual
Additional components	Catalogue and according to ISO 5801