



TCBBX2/TCBTX2

5605765000 - TCBTX2/4-450 3PH 230/400V 50HZ CONTRA-ROTATING AXIAL PLEASE CHECK 5605764900 - CYLINDRICAL CASSED AXIAL FLOW FANS



Cased axial fan . Casing manufactured from galvanised sheet steel. Fitted with 2 contrarotating fan assemblies with aluminium blades. Three phase - IP65 - F motor. All models are supplied with pre-wired wiring junction box located on the outside of the fan casing for easy wiring access.. Brand S&P model TCBTX2/4-450 3PH 230/400V 50Hz CONTRA-ROTATING AXIAL Please check 5605764900 for an airflow 1,77 m³/s and static pressure 199 Pa.

Theoretical Working Point

Airflow	1,77 m ³ /s
Static Pressure	200 Pa
Temperature	20 °C
Altitude	0 m
Density	1,2 kg/m ³
Frequency	50 Hz

Working Point

Airflow	1,77 m ³ /s
Static Pressure	199 Pa
Dynamic pressure	74 Pa
Total Pressure	274 Pa
Efficiency	39
Input power	1,12 kW
Outlet speed	11,1 m/s
Fan speed	1401 rpm
Specific Fan Power	0,63 W/l/s

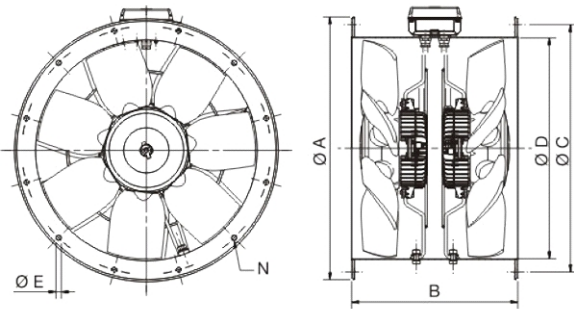
Construction

Discharge diameter	450 mm
Fan size	450
Blades	7
Weight	36,90 kg

Motor Characteristics

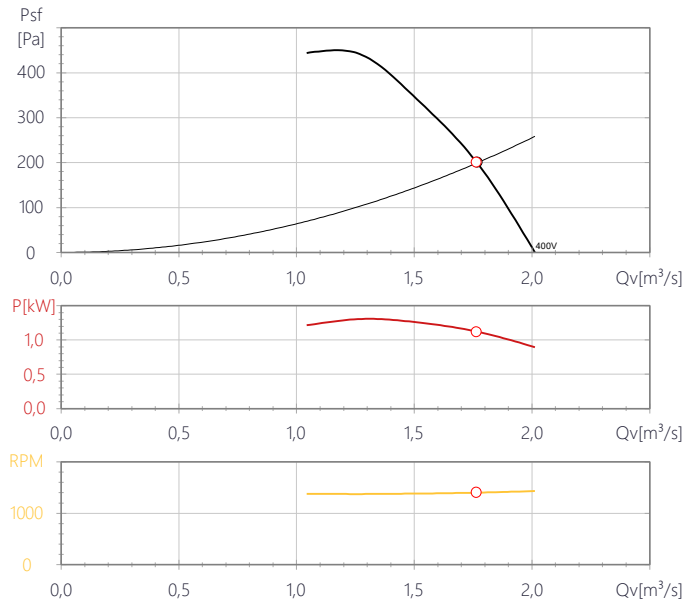
Number of poles	4
Voltage	3-230/400V-50Hz
Maximum absorbed current	5,1 A / 3,0 A
IP Rating	IP65
Motor insulation class	F

Drawing (mm)



A	B	C	D	E	N
537	375	500	450	12	8

Performance Chart



Sound Performance

	63	125	250	500	1k	2k	4k	8k	Overall
Inlet (LwA)	47	73	84	81	83	79	71	64	88
Inlet LpA @ 1,5m	32	58	69	66	68	64	56	49	74
Outlet (LwA)	63	75	86	85	87	82	74	67	92
Outlet LpA @ 1,5m	48	60	71	70	72	67	59	52	77



TCBBX2/TCBTX2

5605765000 - TCBTX2/4-450 3PH 230/400V 50HZ CONTRA-ROTATING AXIAL PLEASE CHECK 5605764900 - CYLINDRICAL
CASED AXIAL FLOW FANS

ErP Data

Fan type	G1- AXIAL FAN STATIC (A,C)
Maximum efficiency η [%]	43,0
Installation type	C
Category efficiency	Static
N	N48,6
Variable speed drive	+
Year of manufacture	Product Rating Plate
Input power at optimum efficiency point (kW)	1,309
Airflow at optimum efficiency point [m3/h]	4.705
Pressure at optimum efficiency point [Pa]	432
Correction factor	No
Element supplied with the fan	Instruction manual
Speed at optimum efficiency point	1375
Specific Ratio	1
Manufacturer's Info	S&P
Product code	5605765000
Recycling/disposal	Instruction Manual
Maintenance	Instruction Manual
Additional components	Catalogue and according to ISO 5801